

Helpful Hints

Minimum Clearance Installations.

Be sure the side you choose offers enough clearance for the E-Z Lifter® to raise and lower your cover without touching surrounding objects. If the cover rubs, or bumps, other objects when opened or closed, the cover will incur increased wear and/or damage to the cover or the other objects.

When required, you may slightly vary the minimum clearances specified in these instructions to provide more clearance for other objects. However, you **MUST** also take great care to ensure your cover does not rub against objects when opened or closed. The recommended minimum distances targeted in these instructions will provide sufficient clearance IF measurements on opposite sides are equalized.

Stop the Sliding

If your E-Z Lifter® slides from side-to-side when opening or closing, you can use a “self-tapping” Metal Screw ⑥ to eliminate horizontal sliding. Simply position the screw within 1/4” to the inside/outside of the Mounting Block using the power screwdriver. Be sure to also put another Metal Screw on the other side, or on the opposite side of the other Mounting Block. For example: Either put 1 screw on each side of a single Mounting Block, or put 1 screw on the inside, or the outside, of both Mounting Blocks.

Installing on Tall Spas

You can use the E-Z Lifter® X-Large to manage the cover on tall spas, such as Aquatic Fitness or Swim Spas, by simply adding another unit on the opposite end, providing the long spa is also under 96” wide. For easiest installation and use, the covers should be in two equal sections and have a fold at the mid-point of each cover section.



2611 Business Park Drive
Vista, California 92081

760.727.7727 | FAX: 760.734.4096

www.EZLifter.com

Part Number - 01513-06 Revision B



General Information

When assembled, the E-Z Lifter® forms a rectangular shape and is attached to the pedestal base (or bottom) of the spa. When you fold the cover, the E-Z Lifter® holds it upright (vertically) and lightly rests against the back of the spa.

These instructions are for most rectangular spas with an exterior dimension up to 96” wide. The Universal Adapter Kit (Part # 03100-11) will be needed for spas of any other shape that are also up to 96” wide. The X-Large kit is for spas that are taller or longer, such as the Aquatic Fitness Systems, or other Swim Spas. These kits may be purchased from your E-Z Lifter® Dealer.



Spa must be 18” from any wall or other obstruction for cover to clear.

Pilot holes have been predrilled in the corner pieces to allow the E-Z Lifter® to adjust to fit most spas. The screws provided in this kit are self-tapping and will penetrate the bridge arms and the side arms to complete the E-Z Lifter® size and shape for your particular spa. The only tools you will need are a tape measure, a power screw driver with a 5/32” drill bit, a #2 Phillips screwdriver bit, and a 1/4” hex drive socket.

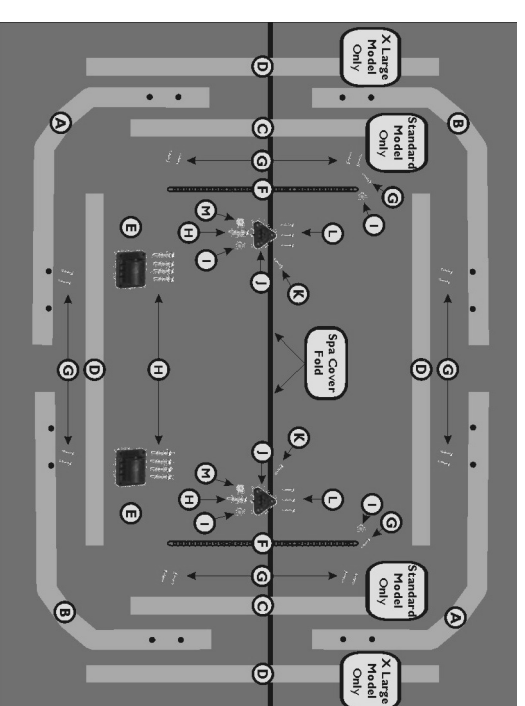
Installation Instructions

1

Place the spa cover on the spa so that the fold in the center of the spa cover is parallel with the side of the spa where the E-Z Lifter® will be installed.

2

Spread out the parts on top of your spa cover, as shown in the picture, and make sure you have all of them. Use the parts list below for confirmation.



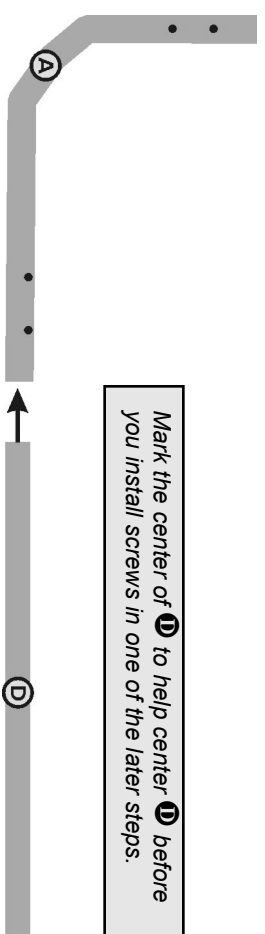
The folded cover will be stored on this side.

For the purpose of these instructions, we will refer to the spa cover as having a top half and a bottom half, with a fold in the center. The bottom half of the cover is the half that is closest to the side of the spa where the E-Z Lifter® frame will be mounted.

Part	Description	Quantity		Part #
		Std	X-Large	
A	Corner Piece	2	2	03100-27
B	Corner Piece	2	2	03100-15
C	37” Side Arm	2	0	03100-16
D	50” Bridge Arm	2	4	03100-17
E	Mounting Block	2	2	03100-04
F	Retention Chain (20”)	2	0	03110-05
F	Retention Chain (40”)	0	2	03100-26
G	Metal Screw (#10 x 3/4”)	20	20	01011-24
H	Wood Screw (#8 x 1/2”)	10	10	01011-31
I	#10 Flat Washer	4	4	01031-06
J	Chain Mounting Bracket	2	2	03100-04
K	Machine Screw (#8-32 x 5/8”)	2	2	01021-16
L	Wood Screw (#8 x 3/4”)	6	6	01021-17
M	Plastic Spacer (Optional)	2	2	01150-12

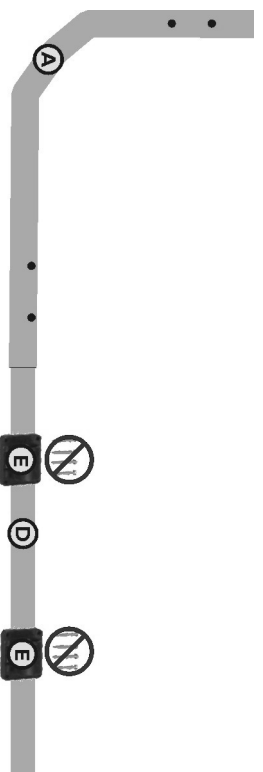
Assemble the Base

1 Insert the left side of the bottom 50" Bridge Arm **D** into the bottom right side of the lower left corner piece **A**. (Do not secure with screws at this time.)

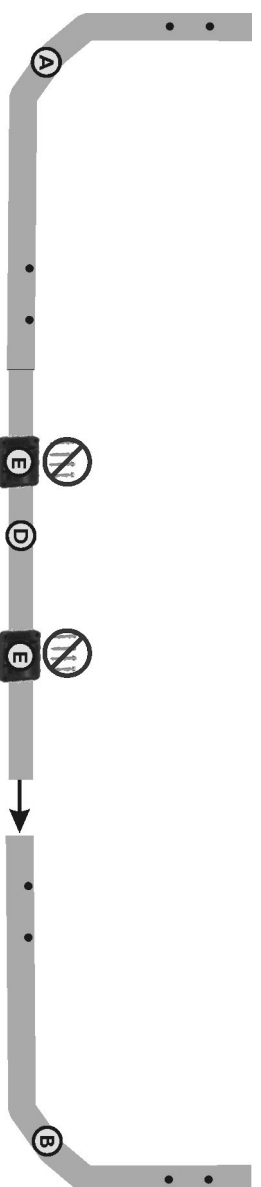


Mark the center of **D** to help center **D** before you install screws in one of the later steps.

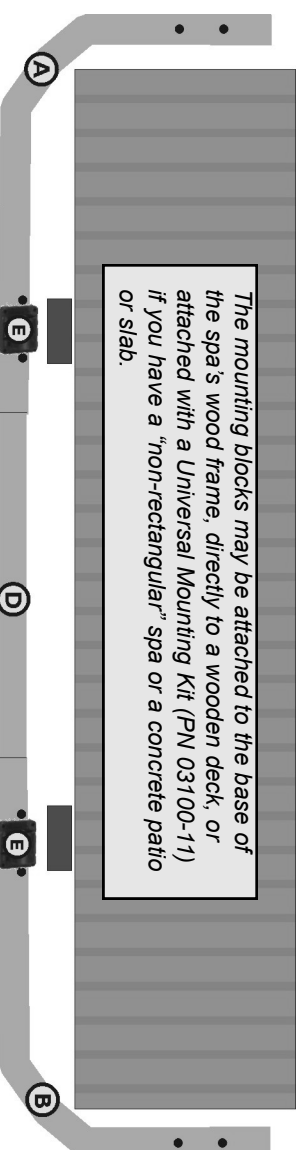
2 Place the mounting blocks **E** over the right side of the 50" Bridge Arm **D** and slide them to the middle. (Do not secure with screws at this time.)



3 Insert the right side of the bottom 50" Bridge Arm **D** into the bottom left side of the lower right corner piece **B**. (Do not secure with screws at this time.)



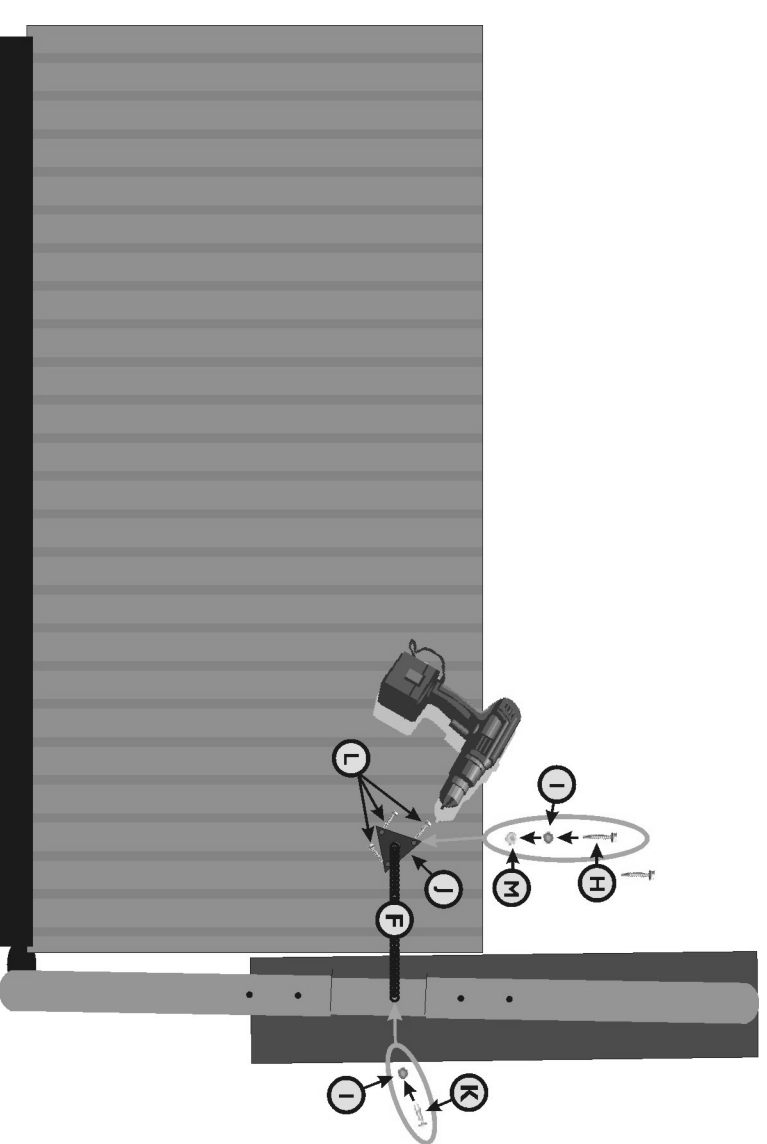
4 Move the bottom assembly to the bottom of the spa and slide the mounting blocks **E** so they are positioned next to the location on the spa frame where they will be mounted.



The mounting blocks may be attached to the base of the spa's wood frame, directly to a wooden deck, or attached with a Universal Mounting Kit (PN 03100-11) if you have a "non-rectangular" spa or a concrete patio or slab.

Finishing Up

1 Use the E-Z Lifter® frame to help you remove the spa cover and place it in its new "storage position" as shown below. Hold it carefully while you mark the position for the Chain Mounting Bracket **J** on the spa side. You will also need to identify a location on the Standard Side Arm **C** (or X-Large Side Arm **D**) for the other end of the Safety Chain **F**. When these locations are properly marked, the chain will be level with the top of the spa.



Use the power screwdriver to secure the Chain Mounting Bracket **J** to the spa cabinet with the small Wood Screws **L**. The other end of the chain is secured to the Side Arm with a small Machine Screw **K** and #10 Flat Washer **I**.

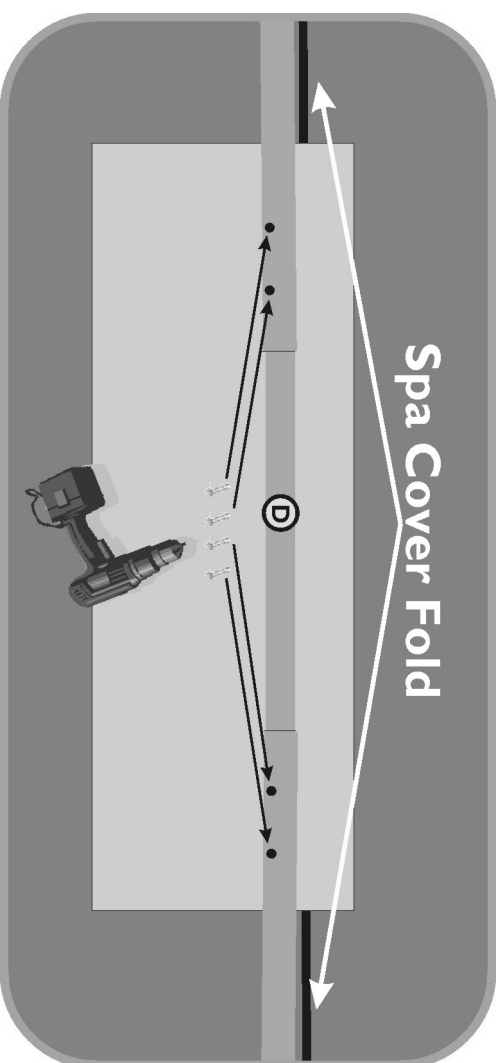
If you have a wood cabinet on your spa, be sure you rotate the Chain Mounting Bracket **J** so that no two screws are drilled into the same grain. If you have a cabinet made from other materials, this may not be necessary.

Mark the mounting locations for each end of the chain and use these measurements to mount the Retention Chain on the other side of the spa.

On some spas, it might be better to anchor the chain to the spa cabinet by using the extra large Wood Screw **I** with the #10 flat washer **L** and the optional Plastic Spacer **N**. This longer wood screw can anchor directly into the spa frame as an acceptable mounting option for the Retention Chain.

Adjust the Top Assembly

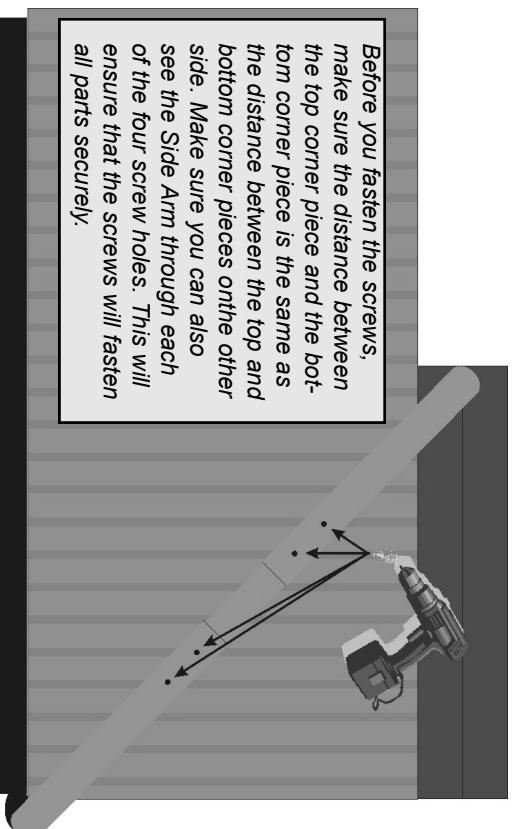
- 1 Reposition the top assembly next to the spa cover's fold as previously shown. Then remeasure the distance between the inside edge of the side arm and the spa side to make sure that both sides remain at 1 1/2".
- 2 Place a piece of cardboard or other material under the top assembly. This will help protect the spa cover while you secure the bridge arm to both top corner pieces.
- 3 Then use the power screwdriver to attach the bridge arm to the corner pieces with the metal screws.



Before you fasten the screws, make sure the distance between the top corner pieces is the same as the distance between the bottom corner pieces. Also be sure you can see the Bridge Arm through each of the four screw holes. This will ensure that the screws will be

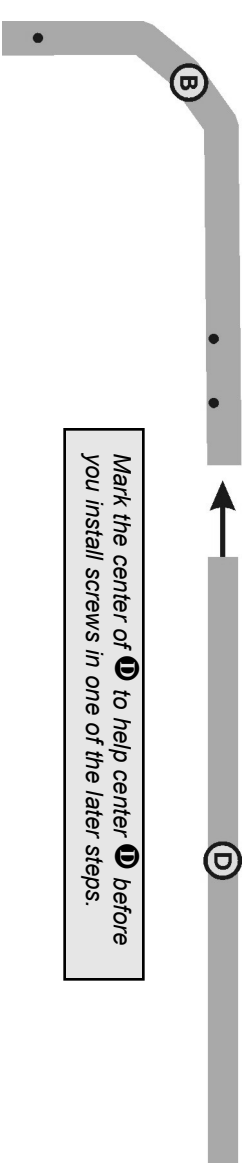
Adjust the Side Arms

- 1 After you have secured the top assembly, and before you start on the side arms, remove the cardboard from the top of the spa. Then fold the spa cover so that the top assembly is folded into the seam. This will help support the E-Z Lifter® frame and ensure that nothing moves while you are securing the side arms to the top and bottom corner pieces on each side.
- 2 Use the power screwdriver and more metal screws to fasten the side arm to both the top and bottom corner pieces.
- 3 Repeat on the other side.

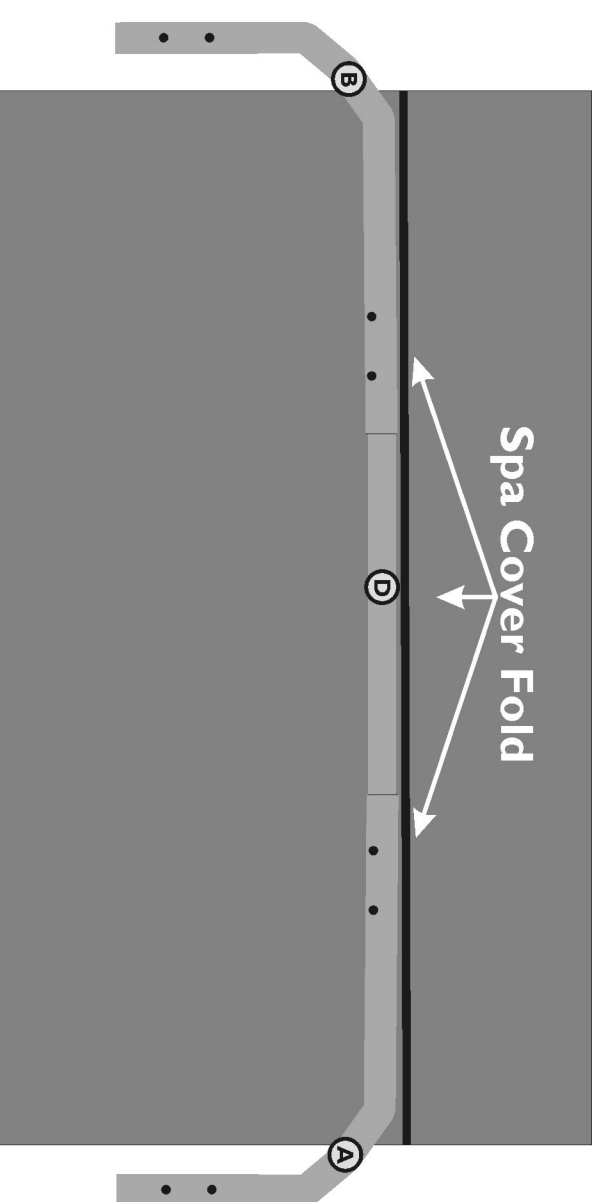


Assemble the Top

- 1 Insert the left side of the top 50" Bridge Arm (D) into the top right side of the upper left corner piece (B). (Do not secure with screws at this time.)
- 2 Insert the right side of the top 50" Bridge Arm (D) into the top left side of the upper right corner piece (A). (Do not secure with screws at this time.)



- 3 Move the top assembly to the center of the spa cover next to, and slightly below, the fold.

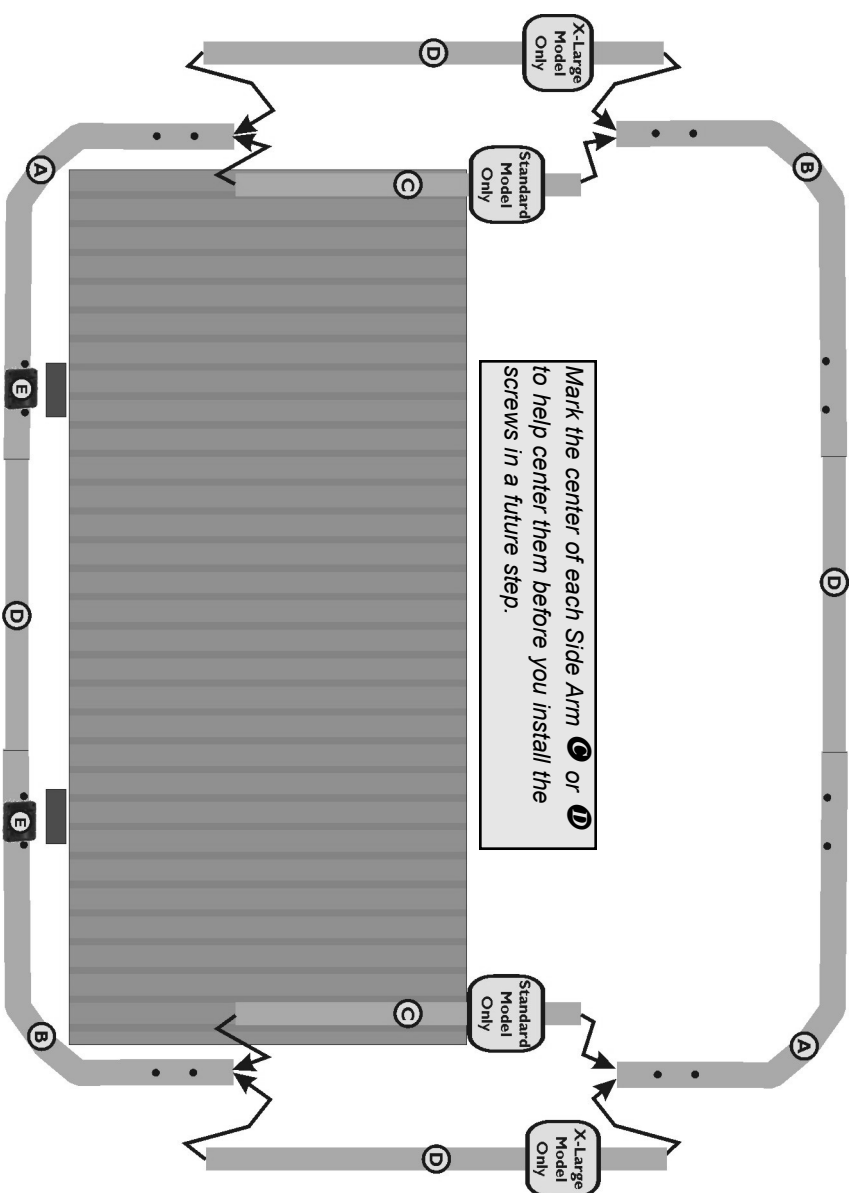


The folded cover will be stored on this side.

Assemble the Sides

1

Next, assemble the side arms by placing one end of each side arm (C) for Standard size and (D) for X-Large size kits) into the top and bottom corner pieces (A) and (B) on each side. *(Do not secure with screws at this time.)*



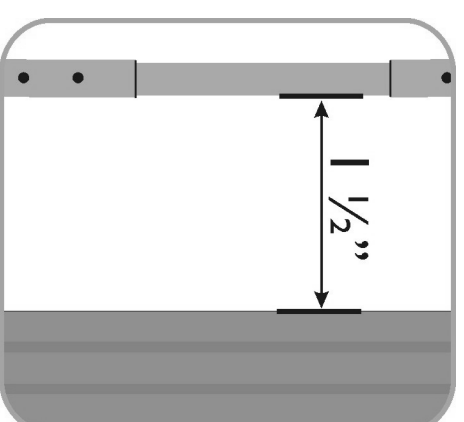
Now reposition the top assembly next to the spa cover's fold, as previously shown, and begin measuring and securing the final assembly.

2

3

Using your tape measure, adjust the entire assembly so that you have a minimum of 1 1/2" of clearance between the side arms (C) or (D) and the spa sides.

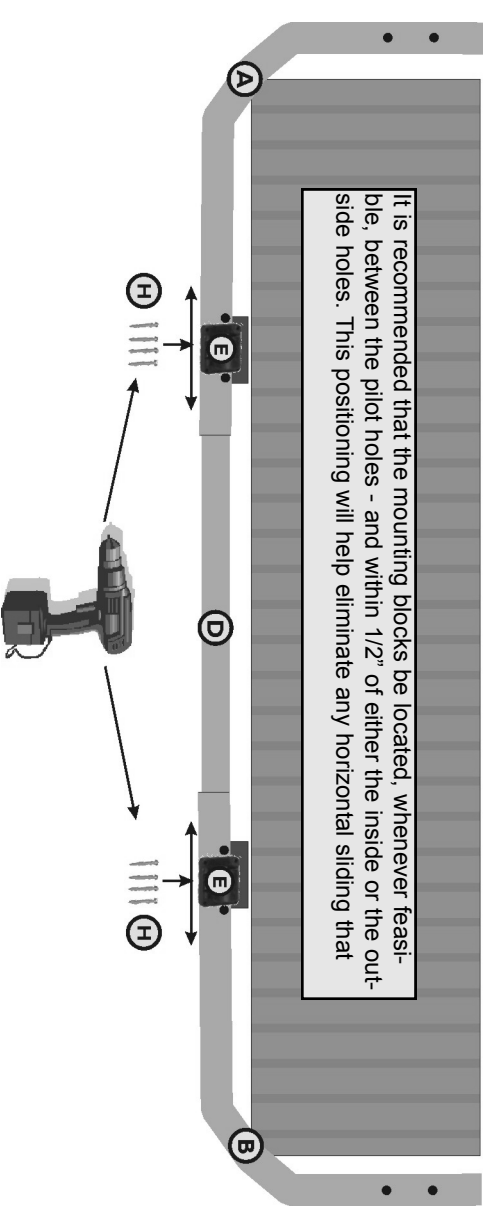
Be sure to measure BOTH sides, then measure again after each adjustment.



Attach Assembly Base to Spa

1

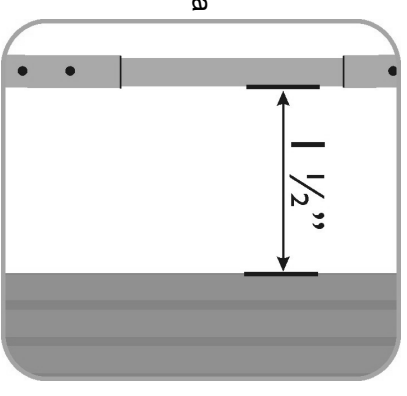
After the E-Z Lifter® frame has been adjusted to get the necessary 1 1/2" clearance on each side, you are ready to secure the mounting blocks (B) to the spa frame, deck, patio, or Universal Mounting Kit (PN 03133-11). Slide the mounting blocks (B) horizontally along the assembly base until they are positioned where they will be attached.



Any part of the spa frame that lines up correctly is OK. However, because it may not be possible to attach the mounting blocks to the spa frame, you might need to attach the mounting blocks to the deck or patio. If these options are not feasible, you can always use the Universal Mounting Kit. This kit provides flat aluminum plates that extend from under the spa and allow you to attach the mounting blocks to them. This kit is especially convenient if your spa is round or oval.

2

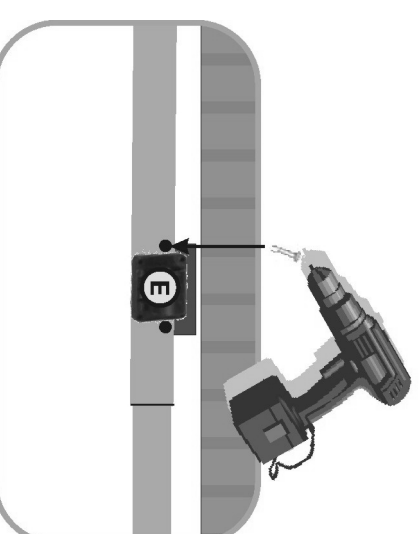
Once you have secured the mounting blocks, be sure to measure the space between the spa side and the side bars again. Readjust as necessary to ensure a minimum of 1 1/2" clearance on each side.



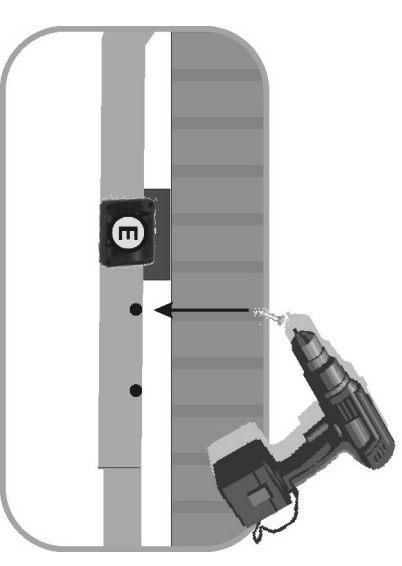
3

After the EZ-Lifter® frame has been readjusted for 1 1/2" clearance, you are ready to lock the bottom assembly's horizontal width using the metal screws (G).

These "self-tapping" screws will secure the bridge arm to the corner pieces.



After you have inserted the outside screw in both of the lower corner pieces, you should measure the space from the side arms to the spa side to ensure a minimum of 1 1/2" still remains. If not, readjust before inserting the inside screw into both lower corner pieces.



When both screws have been inserted and both sides still have a 1 1/2" clearance between the inside edge of the side arm and the spa side, you may want to lock the positioning by inserting an additional self-tapping screw (if necessary to eliminate any horizontal sliding) to either side of the mounting blocks.